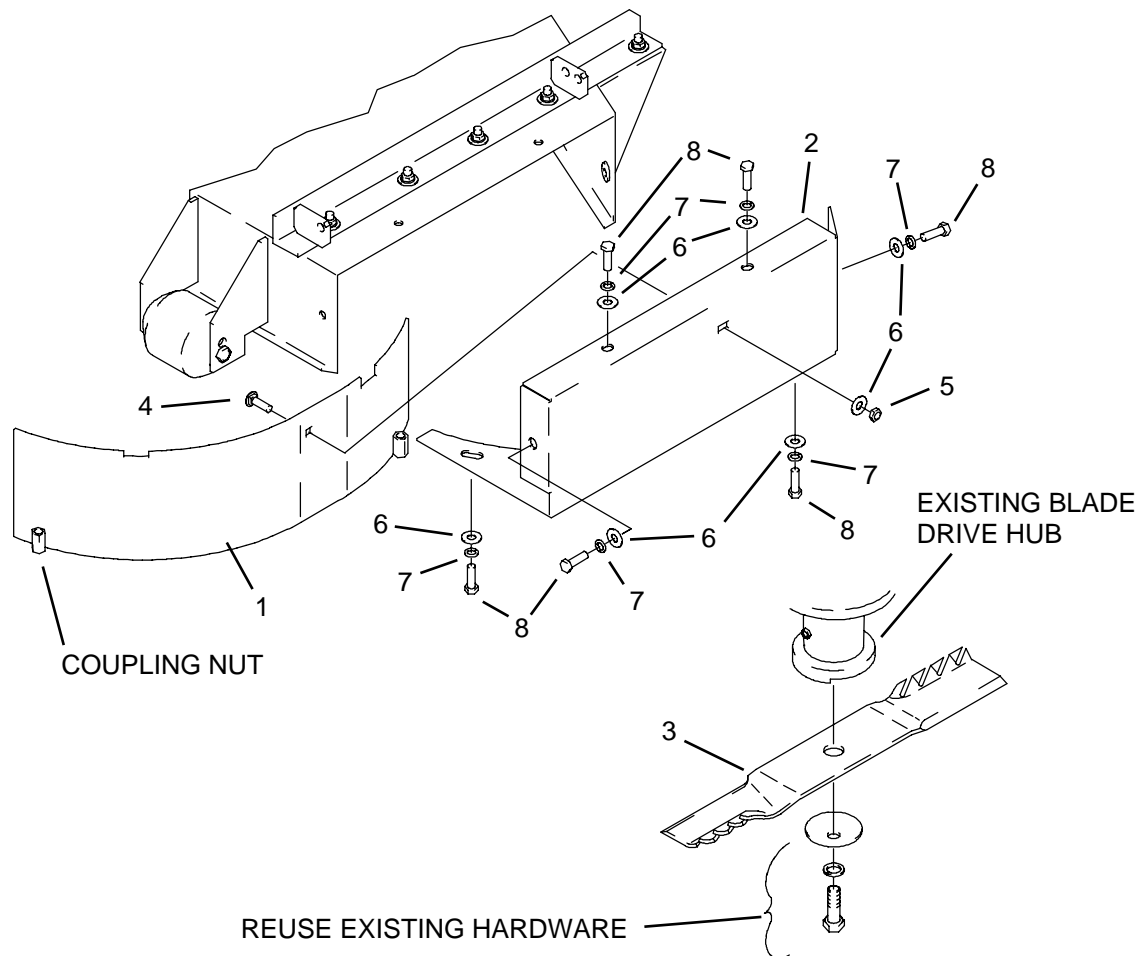


# Country Clipper

## MULCHING KIT ASSEMBLY INSTRUCTIONS

### FOR 48" DECKS

- 1.) Remove side discharge deck chute.
- 2.) Remove the blades, leaving the blade driver hubs on the spindle shaft. Keep the washers on the bolts in the same order for re-installation. Install the mulching blades as shown.
- 3.) Mount the end cap onto the deck using (4) 5/16-18 x 3/4" bolts, lockwashers, and flatwashers as shown. **Do not tighten the bolts at this time.**
- 4.) Mount the curved baffle to the inside of the end cap. Install the 5/16-18 x 3/4" carriage bolt thru the baffle and end cap, loosely secure with a 5/16" flatwasher and 5/16-18 locknut. Install (2) 5/16-18 x 3/4" bolts, lockwashers, and flatwashers thru the holes in the bottom of the end cap into the coupling nuts welded to the curved baffle. **Tighten all hardware.**

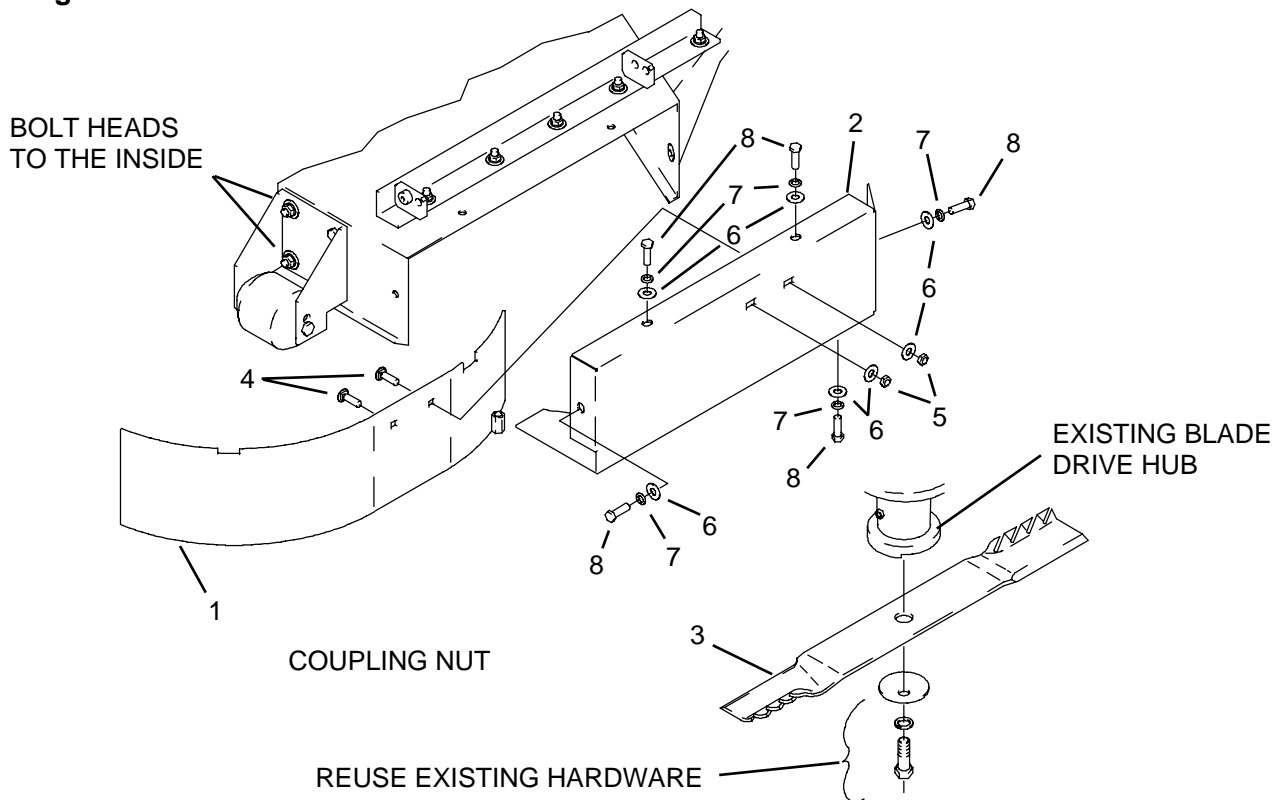


# Country Clipper

# MULCHING KIT ASSEMBLY INSTRUCTIONS

## FOR 60" DECKS

- 1.) Remove side discharge deck chute. **NOTE:** If the rear right anti-scalper bracket is installed, the two inner bolts closest to the center of the deck must be removed or the heads of the bolts must be to the inside of the deck.
- 2.) Remove the blades, leaving the blade driver hubs on the spindle shaft. Keep the washers on the bolts in the same order for re-installation. Install the mulching blades as shown.
- 3.) Mount the end cap onto the deck using (4) 5/16-18 x 3/4" bolts, lockwashers, and flatwashers as shown. **Do not tighten the bolts at this time.**
- 4.) Mount the curved baffle to the inside of the end cap. Install the (2) 5/16-18 x 3/4" carriage bolts thru the baffle and end cap, loosely secure with a (2) 5/16" flatwashers and 5/16-18 locknuts. Install a 5/16-18 x 3/4" bolt, lockwasher, and flatwasher thru the hole in the bottom of the end cap into the coupling nut welded to the curved baffle. **Tighten all hardware.**



## PARTS LIST FOR 48" DECK

<u>ITEM</u>	<u>PART NO.</u>	<u>DESCRIPTION</u>	<u>QTY.</u>
1	D612-354W	ROLLED BAFFLE 48"	1
2	D612-352P	END CAP 48"	1
3	DH-2202	BLADE, 17" MULCHING	3
4	DF-1671	CAPSCREW, 5/16-18 X 3/4" CARRIAGE	1
5	DF-1005-02	LOCKNUT, 5/16-18 NYLOC	1
6	DF-1009-02	FLATWASHER, 5/16"	7
7	DF-1019-02	LOCKWASHER, 5/16"	6
8	DF-1546	CAPSCREW, 5/16-18 X 3/4"	6

## PARTS LIST FOR 60" DECK

<u>ITEM</u>	<u>PART NO.</u>	<u>DESCRIPTION</u>	<u>QTY.</u>
1	D612-357W	ROLLED BAFFLE 60"	1
2	D612-355P	END CAP 60"	1
3	DH-2203	BLADE, 21" MULCHING	3
4	DF-1671	CAPSCREW, 5/16-18 X 3/4" CARRIAGE	2
5	DF-1005-02	LOCKNUT, 5/16-18 NYLOC	2
6	DF-1009-02	FLATWASHER, 5/16"	7
7	DF-1019-02	LOCKWASHER, 5/16"	5
8	DF-1546	CAPSCREW, 5/16-18 X 3/4"	5